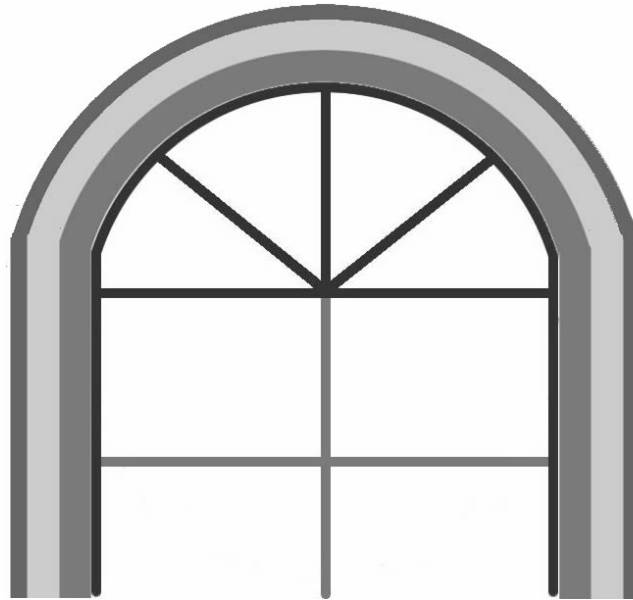
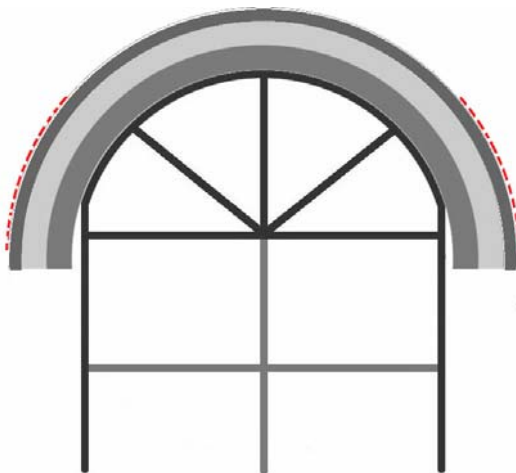


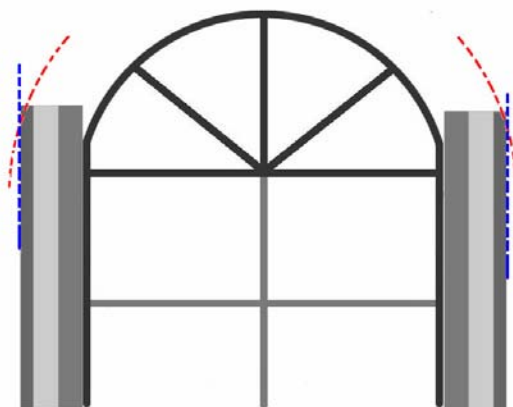
# Installation of Arch With Side Trims



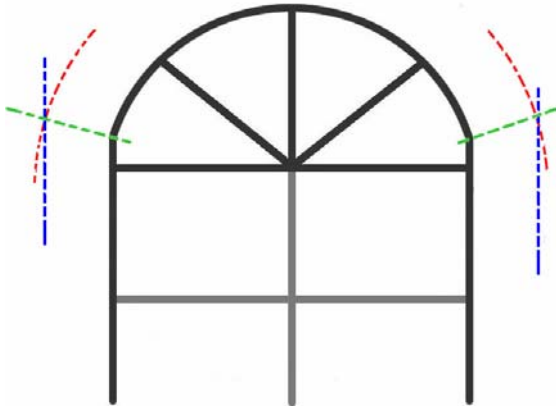
1. Place the arch at the top of the window and mark the contour of the arch (red dotted lines)



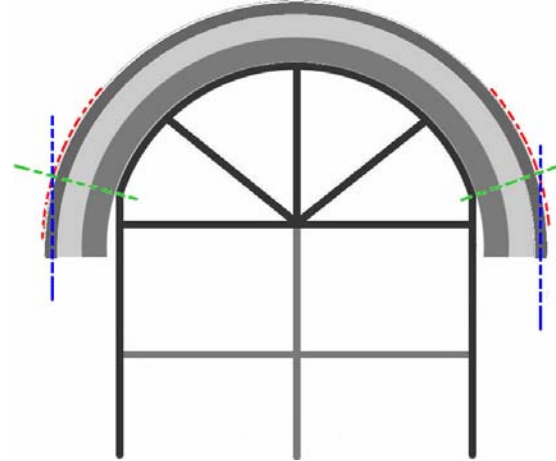
2. Place the side trims at the sides of the window and mark the contour of the trims (blue dotted lines)



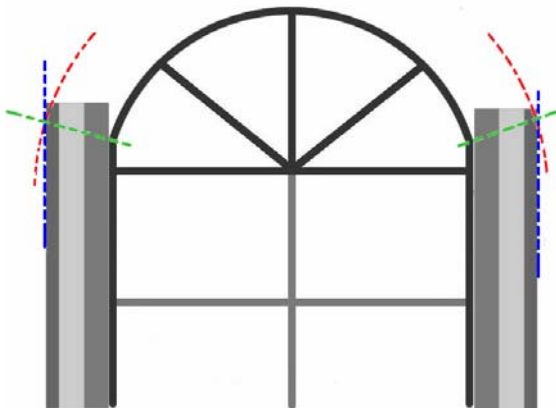
3. Mark the join line (green dotted lines)



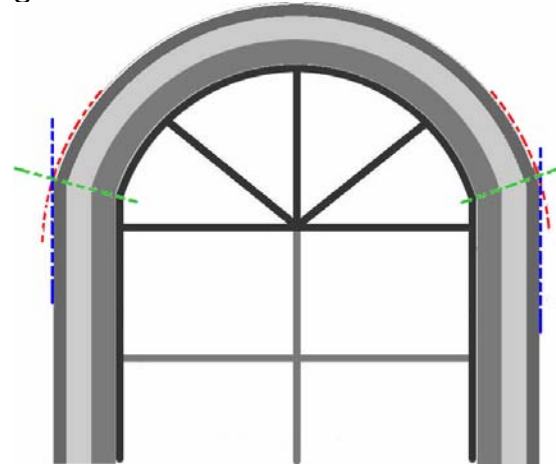
4. Place the arch back on the top of the window and mark the join lines on the arch.



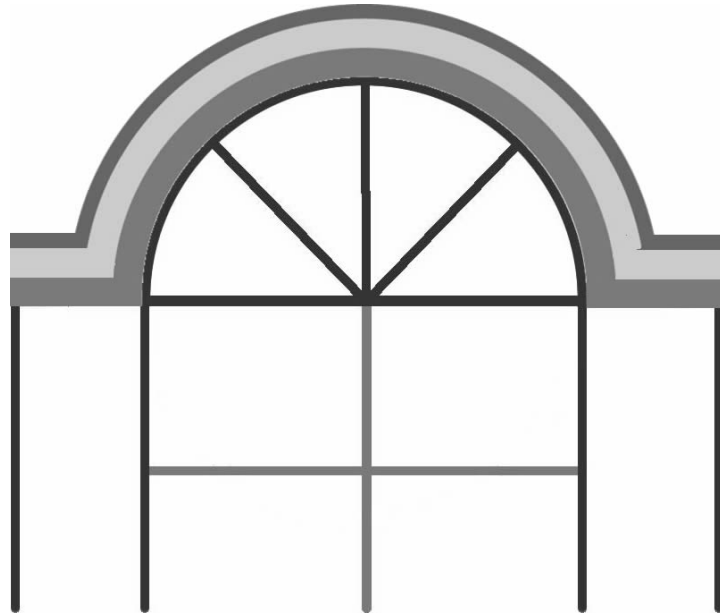
5. Place the trims back on the sides of the window and mark the join lines on the trims.



6. Cut the arch and the trims along the marked join lines and glue them to the wall

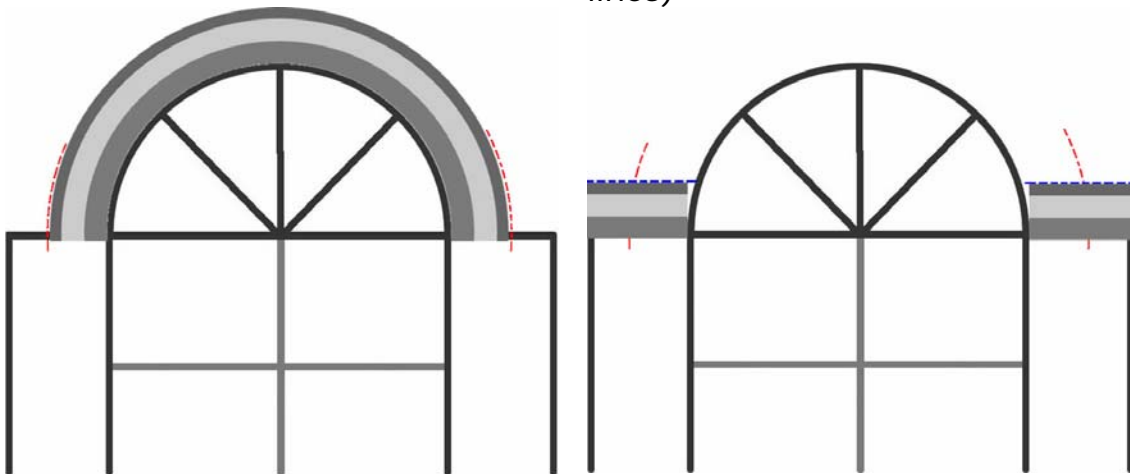


# Installation of Arch With Side Wings

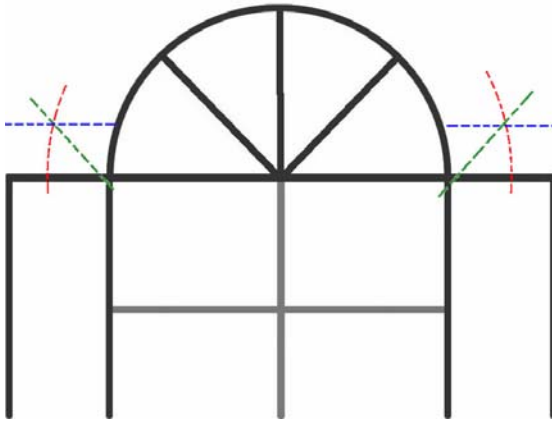


1. Place the arch at the top of the window and mark the contour of the arch (red dotted lines)

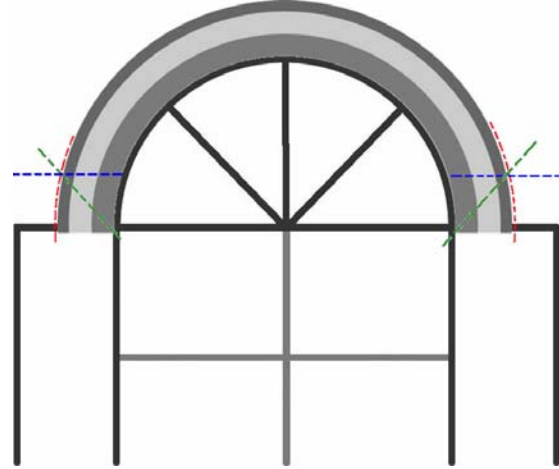
2. Place the side trims at the sides of the window and mark the contour of the trims (blue dotted lines)



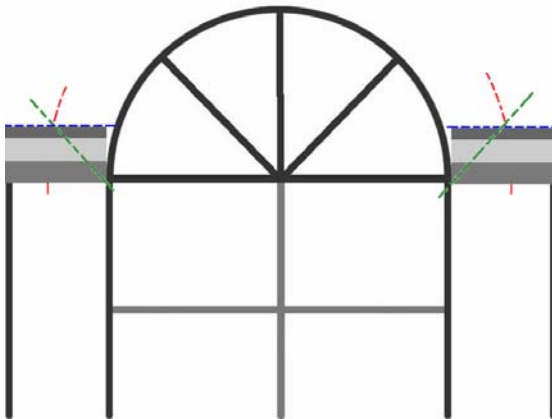
3. Mark the join line (green dotted lines)



4. Place the arch back on the top of the window and mark the join lines on the arch.



5. Place the trims back on the sides of the window and mark the join lines on the trims.



6. Cut the arch and the trims along the marked join lines and glue them to the wall

