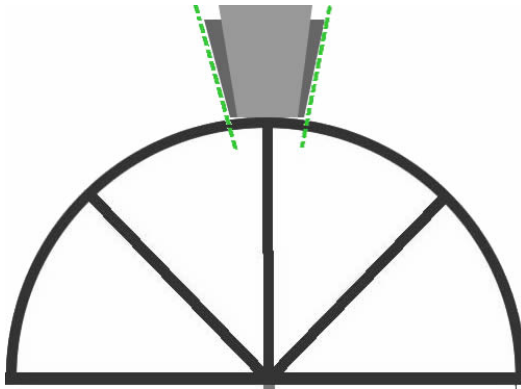
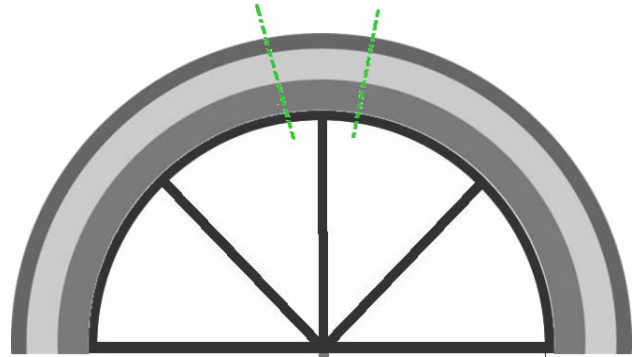


Installation of Keystones On an Arched Window

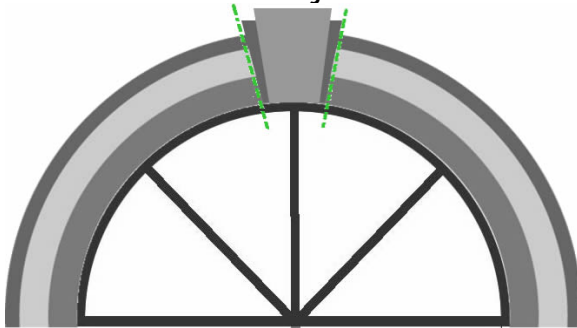
1. Place the keystone at the top of the arch and mark the contour of the keystone (green dotted lines)



2. Place the arch on the window, mark the cut lines, cut the arch into 2 halves. Take into account the angles on the sides of the keystone.

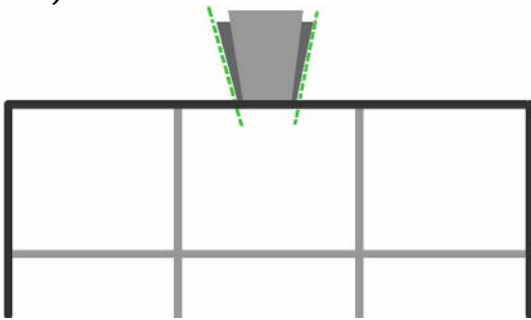


3. Glue the keystone, and the two half arches in place. Use FLEXOCOAT in the joins.

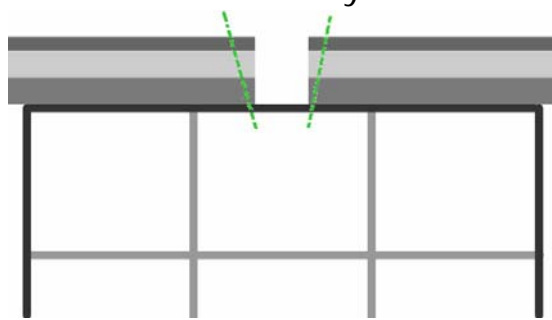


Installation of Keystones On a Rectangular Window

1. Place the keystone at the top of the window and mark the contour of the keystone (green dotted lines)



2. Place the half headers on the window, mark the cut lines, cut the trims. Take into account the angles on the sides of the keystone.



3. Glue the keystone, and the two half trims in place. Use FLEXOCOAT in the joints.

